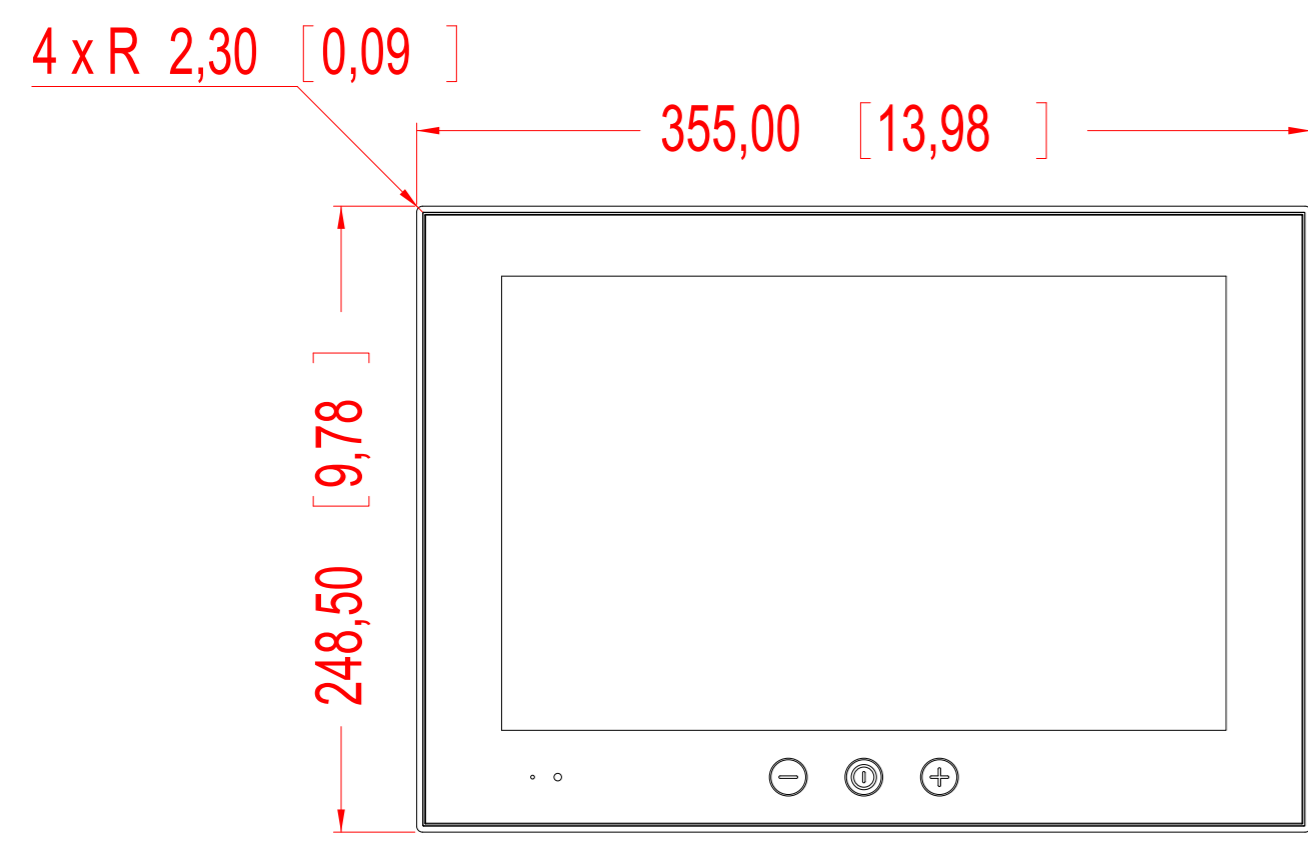


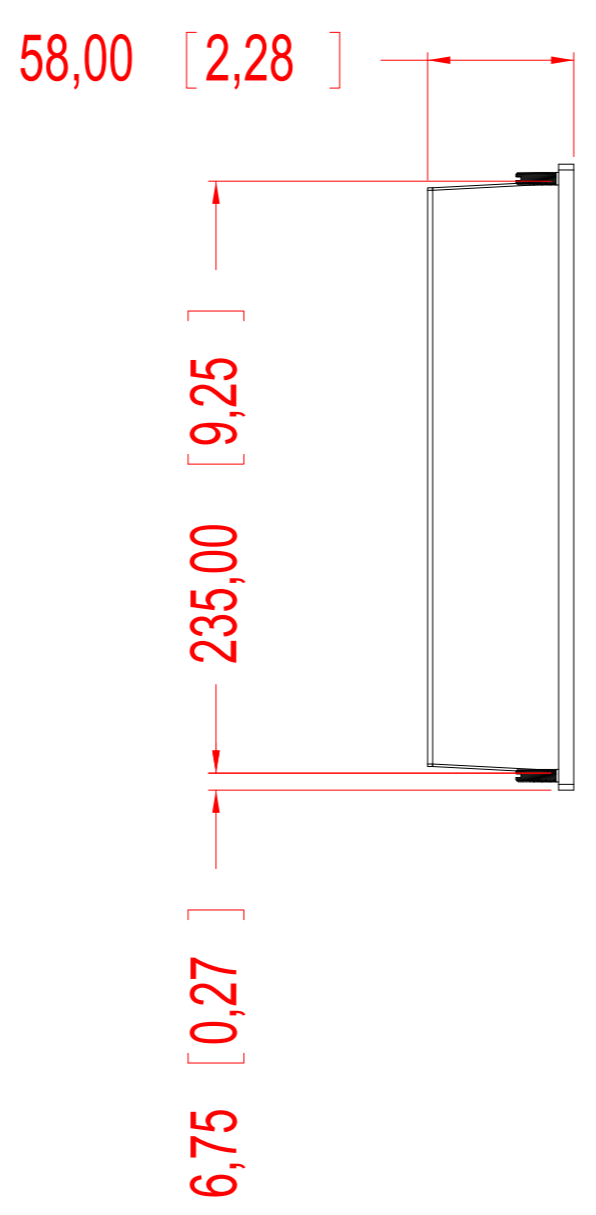
This document is the property of Hatteland Technology AS.
 This document and any authorized reproduction thereof, must not be used in
 any way against the interest of Hatteland Technology AS.
 Any authorized reproduction, in whole or in part, must include this legend.

HATTELAND TECHNOLOGY STANDARD		Created by	Date	Modified by	Date	Revision
Material type and Quality:		Surface treatment:				
Aluminum 5052, standard EN 485-2 (1 & 2)		(1) TRIKATION (Zinc/Mangan Phosphating)				
Si-37 Alu-Zinc, standard EN 10215 (1)		(2) Powder coating, RAL 9011 EPOXY STRUCTUR				
Stainless Steel AISI 316 L, standard EN 4404		DU Pont EP0302-4650327				
Welding specification		Tolerance:				
NS-EN 288-4		ISO 2768-1 middel				
Sheet metal fasteners:						
PSM International or equivalent (www.psminternational.com)						

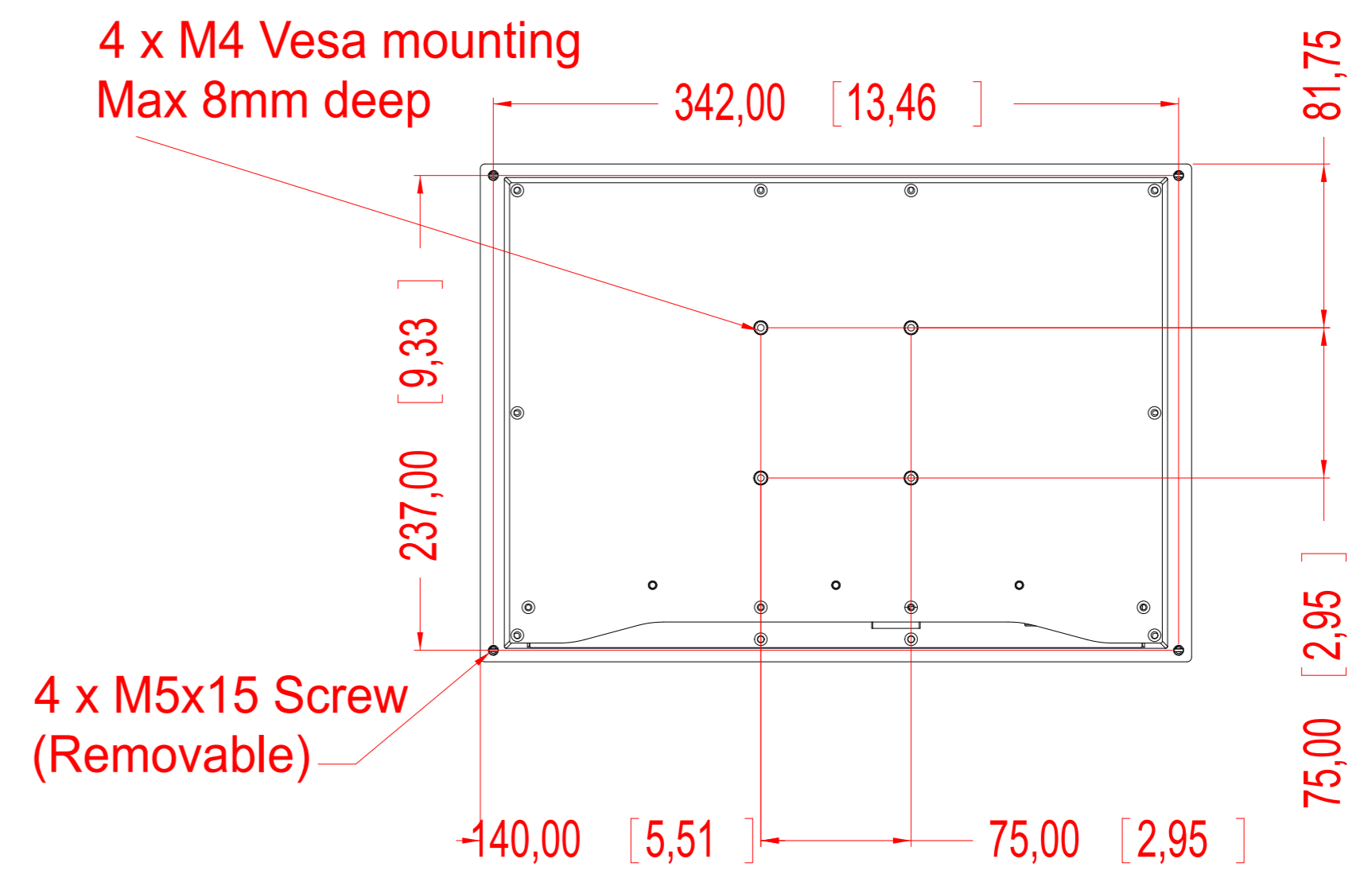
FRONT VIEW



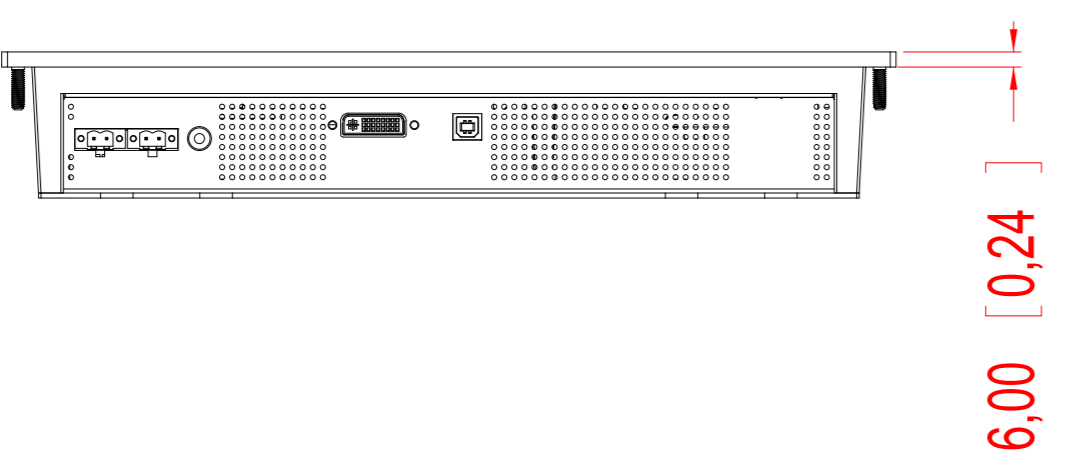
SIDE VIEW



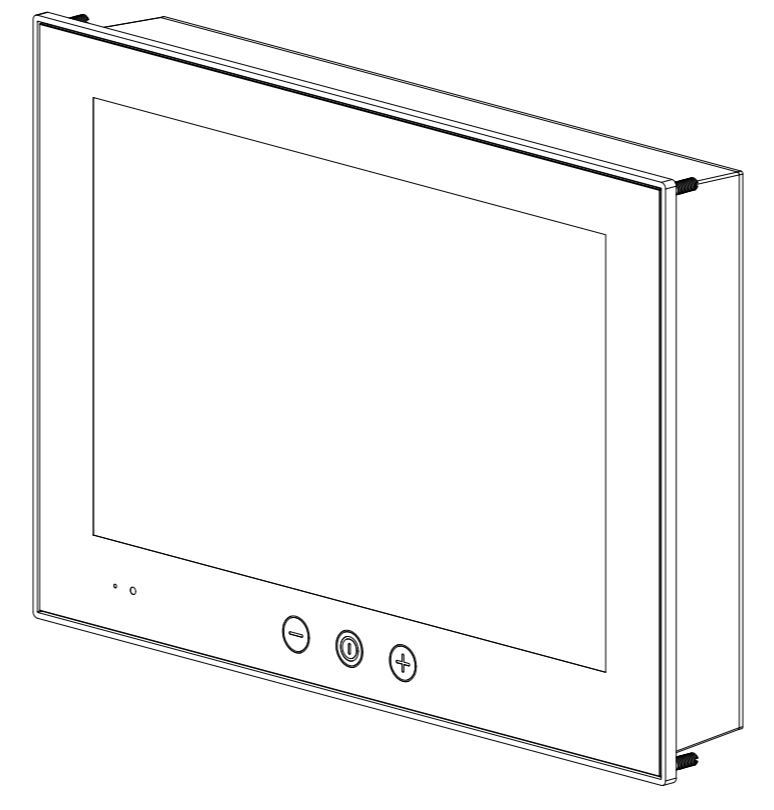
BACK VIEW



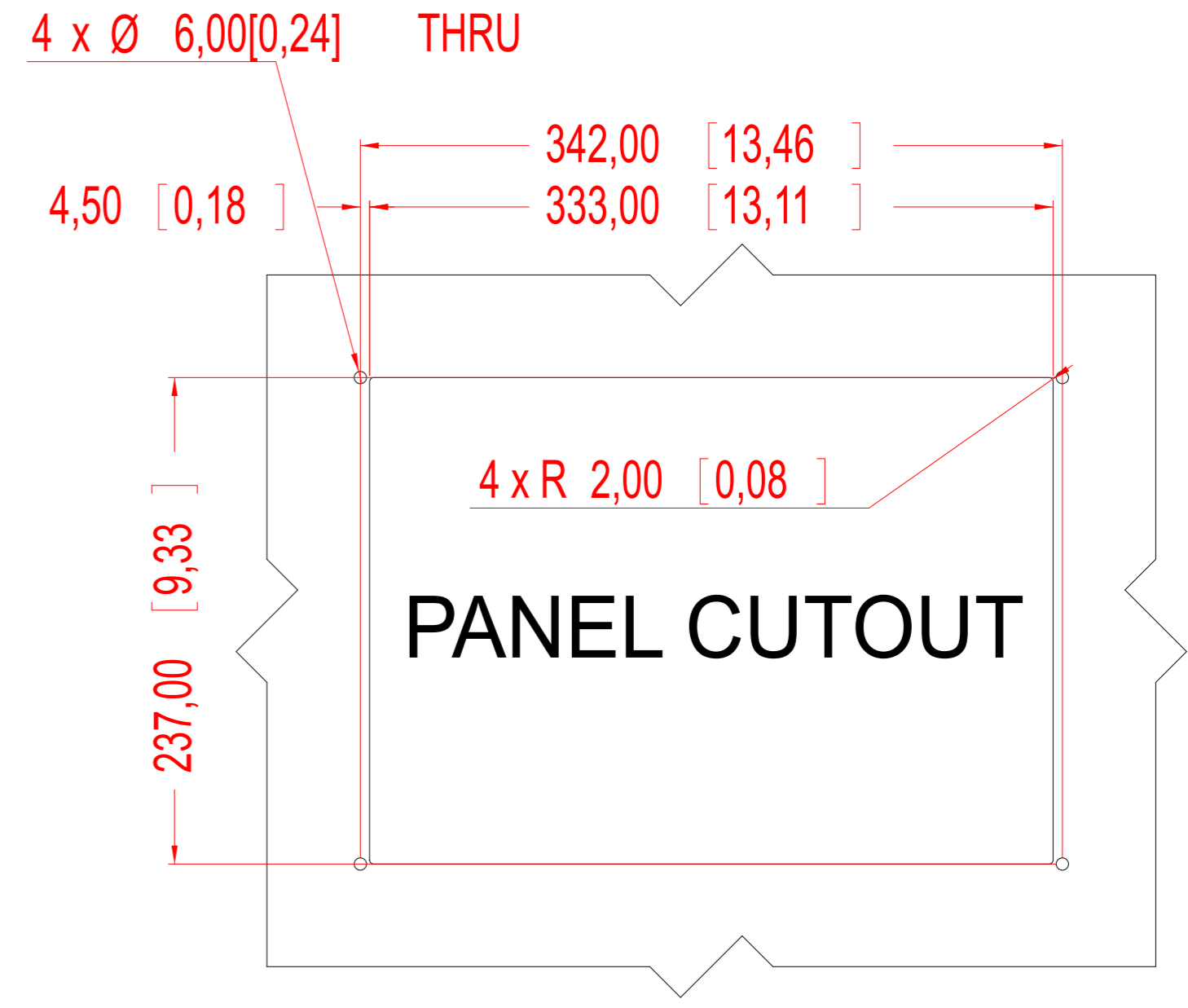
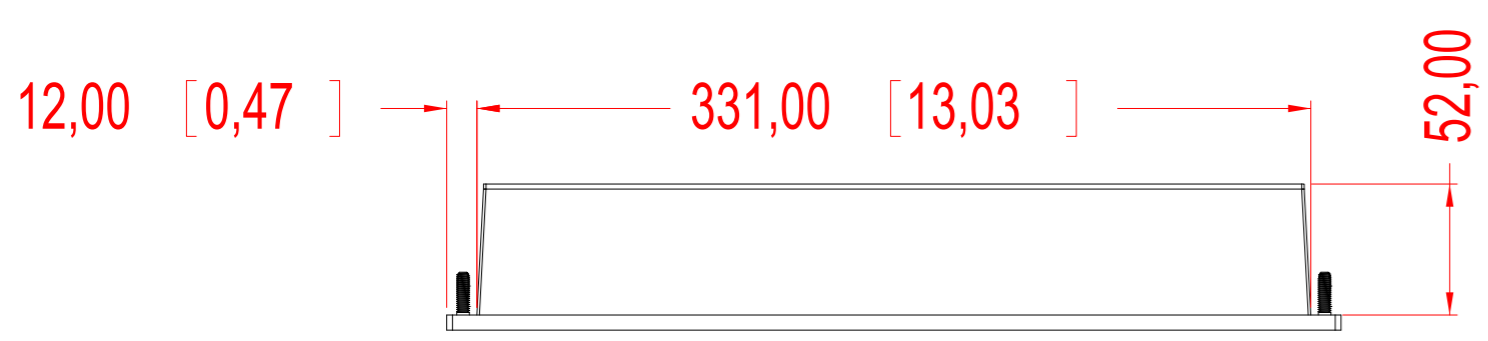
BOTTOM VIEW



DIMETRIC VIEW



TOP VIEW



Units: mm [inches]

SALES DRAWING HD 13T21 STD-EA1-FAGP

model shown in this drawing, but measurements generally apply for all HD 13T21 STD-xxx-Fxxx models

Date:	Mechanical Design	Projection:	Size: A1 Format	HATTELAND TECHNOLOGY an EMBRON Company
24-11-2011	7251		Scale: 1:3	
Hatteland Technology AS Eikeskogvegen 52 N-5570 Akdsal			Colour code:	Approved by: -- Revision: 1
			Surface treatment:	Drawing number: A002634-1